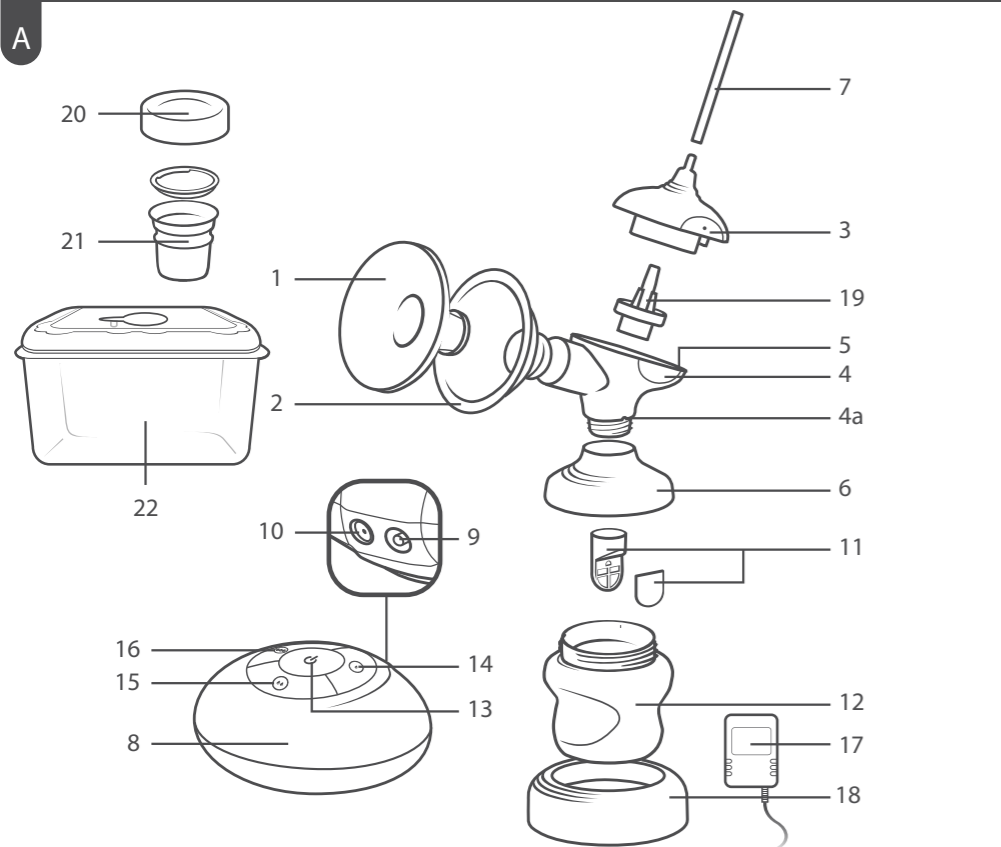


A



closer to nature® electric breast pump

Please read and retain this important information for future reference. Researched and developed by specialists and breastfeeding experts to express milk for storage and later use.

PARTS GUIDE (see diagram A)

- | | |
|---|--|
| 1. Silicone insert | 12. 150ml bottle |
| 2. Cup | 13. On/off button |
| 3. Upper Pump Body | 14. Low Expression Button/Light indicator |
| 4. Lower Pump Body (including Pump Body Insert) | 15. Medium Expression Button/Light indicator |
| 4a. Vent | 16. High Expression Button/Light indicator |
| 5. Air tube holder | 17. Mains Adaptor |
| 6. Bottle Neck Adaptor | 18. Bottle Stand & Cup Hygiene Cover |
| 7. Air tube | 19. Pump Body Insert |
| 8. Motor unit | 20. Milk Storage Lid |
| 9. Air tube socket | 21. Milk Storage containers |
| 10. Mains adaptor socket | 22. Steriliser Box |
| 11. Valve (with membrane) | |

BEFORE USE ENSURE THE BREAST PUMP HAS BEEN DISASSEMBLED, WASHED AND STERILISED.

DISASSEMBLING THE ELECTRIC BREAST PUMP

- Unscrew bottle (12) from bottle neck adaptor (6).
- Unscrew bottle neck adaptor (6) from lower pump body (4).
- Pull off valve (11) and gently remove membrane.
- Pull air tube (7) from upper pump body (3).
- Half turn lower and upper pump body (3 & 4) anti-clockwise and pull apart.
- Pull out pump body insert (19) from lower pump body (4).
- Pull cup (2) from upper pump body (3).
- IT IS NOT ESSENTIAL TO TAKE THE SILICONE INSERT (1) OUT OF THE CUP (2) FOR CLEANING unless milk or dirt has become trapped inside. If so, unclip lip from cup and funnel and pull apart.

CLEANING AND STERILISING THE ELECTRIC BREAST PUMP

Before use, clean and sterilise the product. Disassemble, clean and sterilise all parts of your breast pump kit that come into contact with the breast and milk before and after use (Do not sterilise, motor unit, air tube or mains adaptor). Always wash the product immediately after use to remove milk residue. Wash in warm soapy water and rinse in clean water or use a dishwasher. Do not clean with solvents or harsh chemicals. Do not allow product to come into contact with oil based foods (e.g. oil/tomato based sauces) as staining will occur. Inspect the air tube before and after each use for condensation and/or milk. To clean the valve, rub gently between your fingers in warm soapy water – do not insert objects as damage could result. Suitable for all forms of sterilisation. Follow the steriliser manufacturer's instructions. Do not sterilise the motor unit.

ASSEMBLING THE ELECTRIC BREAST PUMP

- Wash your hands thoroughly before handling the pump.
- Wash and sterilise your breast pump before using. Follow instructions in Cleaning and Sterilising section.
- Make sure the silicone insert is securely attached to the cup. Clip lip over end of cup first, then push tube through funnel, ensuring lip is fully clipped over the other side also.
- Push the cup (2) onto the lower pump body (4), as far as it will go.
- Push pump body insert (19) into lower pump body (4), as far as it will go.
- a. Line up dots on side of upper and lower pump body (3 & 4). b. Half turn twist clockwise to secure. Air tube holder will be aligned when correctly assembled (see diagram B).
- Push membrane firmly onto valve (11) until membrane lies completely flat. Be sure to take apart membrane from valve when cleaning, and dry completely before reassembling.
- Push assembled valve & membrane (11) onto the lower pump body (4) and screw onto bottle adaptor (6).
- Screw bottle (12) onto bottle neck adaptor (6).
- Connect air tube (7) onto upper pump body (3) and insert air tube connector into air tube socket (9) of motor unit (8). This is on the RIGHT of the two sockets in the motor unit.
- Plug the mains adaptor (17) into the mains adaptor socket (10) of the motor unit (8).
- Plug the mains adaptor (17) into an electrical socket.

BATTERY OPERATION

- To install batteries, disconnect the air tube and mains adaptor.
- Push the clip of the battery compartment towards centre of motor unit whilst pulling upwards. Remove the cover.
- Insert batteries as indicated inside the battery compartment and push the cover back into place until it snaps shut.
- Batteries are to be inserted with the correct polarity. Ensure that the + and - ends of the batteries are positioned correctly. Requires 4AA batteries (sold separately). DO NOT USE RECHARGEABLE BATTERIES. The use of rechargeable batteries could cause your breast pump to malfunction and will void the warranty. Non-rechargeable batteries are not to be recharged. Different types of batteries or new and used batteries are not to be mixed. Only batteries of the same or equivalent type as recommended are to be used. Exhausted batteries are to be removed from the breast pump. Batteries should always be removed or replaced by an adult. Keep away from children. Remove batteries if the electric breast pump will not be used for some time.

Help the environment by disposing of your product responsibly. The wheellie bin symbols indicate the product and batteries must not be disposed of in the domestic waste as they contain substances which can be damaging to the environment and health. Please use designated collection points or recycling facilities when disposing of the item or batteries.

INFORMATION ON THE DISPOSAL FOR WASTE ELECTRICAL & ELECTRONIC EQUIPMENT (WEEE)

This symbol on the products and accompanying documents means that used electrical and electronic products should not be mixed with general household waste. For proper disposal for treatment, recovery and recycling, please take these products to designated collection points where they will be accepted on a free of charge basis. In some countries you may be able to return your products to your local retailer upon the purchase of a new product. Disposing of this correctly will help you save valuable resources and prevent any possible effects on human health and the environment, which could otherwise arise from inappropriate waste handling. Penalties may be applicable for the incorrect disposal of this product in accordance with national legislation.



USING THE ELECTRIC BREAST PUMP

- Ensure that the breast pump has been cleaned and sterilised. Wash your hands before touching the breast pump or your breasts and avoid touching inside the breast pump or the storage pot. Find a comfortable chair where you can relax.
- Hold the pump in whichever hand is most comfortable. Take care not to cover the vent (see diagram C).
- Place the silicone insert of the cup over your breast, so that it creates a seal all the way round. IF AIR CAN GET IN THERE WILL BE LOW OR NO SUCTION.
- Press the on/off button to promote milk let-down. This let-down setting is a gentle rhythm to get your milk flowing.
- IMPORTANT: Do not tilt the bottle while pumping, it should be kept upright at all times to avoid milk flowing back up through the air tube. If this happens you must turn the breast pump off immediately as it could damage the motor. Read HELPFUL ADVICE for further information (see diagram C).
- After approximately a minute or so, your breast milk will start flowing freely. At this point, we recommend you press the low expression button. The button will light up. This is the slowest expression level for gentle and efficient expression.
- To increase the expression level, press the medium expression button. The button will light up. If expressing is uncomfortable at this level switch back to the slower level by pressing the low expression button.
- If you would like to express faster than the medium expression level, press the high expression button. The button will light up. If expressing is uncomfortable at this level switch back to medium expression.
- Adjust expression level accordingly to achieve maximum comfort.
- Avoid overfilling bottle. Switch off if you express over 150ml.
- Once finish pumping, switch off the breast pump and unplug it. You do not need to sterilise your pump until you are ready to use it again.
- Cover and store the expressed milk for later use.

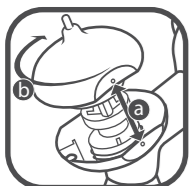
THE CLOSER TO NATURE® ELECTRIC BREAST PUMP CAN ONLY BE USED WITH TOMMEE TIPPEE® CLOSER TO NATURE® BOTTLES. A SEPARATE INSTRUCTION SHEET ON HOW TO CLEAN AND STERILISE THE TOMMEE TIPPEE® CLOSER TO NATURE® BOTTLE IS ENCLOSED. PLEASE READ AND RETAIN THIS IMPORTANT INFORMATION FOR FUTURE REFERENCE.

For hygiene reasons this product cannot be returned once opened unless faulty.

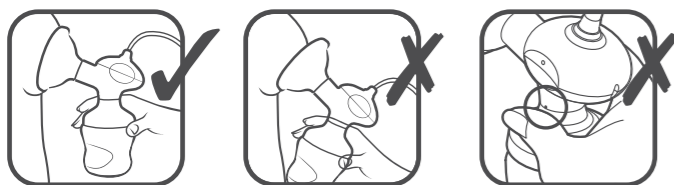
WARNING!

- If the supply cord is damaged, it must be replaced by the manufacturer, its service agent or similarly qualified persons in order to avoid a hazard.
- Do not immerse motor unit in water or clean with wet sponge or cloth.
- Keep all components out of reach of children.
- Children should be supervised to ensure that they do not play with this appliance.
- Always unplug from mains when not in use.
- This appliance is not intended for use by persons (including children) with reduced physical, sensory or mental capabilities, or lack of experience and knowledge, unless they have been given supervision or instruction concerning use of the appliance by a person responsible for their safety.

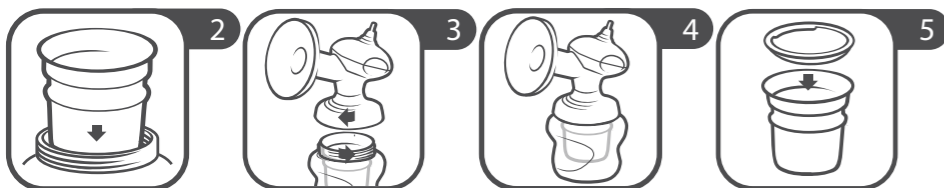
B



C



D



HELPFUL ADVICE

- The best time to use your breast pump is after the first feed of the day (unless otherwise advised by your breastfeeding advisor)
- Be comfortable and relax, e.g. watch the TV or have your favourite music playing.
- Remember you are only trying to express milk from just behind the nipple – strong suction is not necessary.
- There should be no pain using your breast pump. If you feel pain, try using the pump more gently. Then examine your breasts. If there are any red or hot areas contact your breastfeeding advisor as soon as possible.
- Do not continue to use the pump once your milk has stopped flowing.
- Wash all breastfeeding equipment after use and before sterilisation.
- Do not place furniture or other obstructions on the adaptor cords and be sure to position them so that nobody can trip over them.
- Keep adaptor cords away from hot surfaces such as radiators and central heating pipes.
- Always position the adaptor and cord well out of reach of your baby and any young children. Be careful not to position the adaptor where a child might try to step on it.
- Never use Tommee Tippee breast pump adaptor with any other equipment. Nor should you use any other adaptors with your Tommee Tippee breast pump.
- Please note the adaptor becomes warm in use – this is quite normal and not a hazard.
- The adaptor converts your AC power to a safe low DC voltage.

IF MILK GETS INTO THE AIR TUBE:

TURN OFF THE BREAST PUMP IMMEDIATELY and unplug from power source. Remove air tube from the pump. Wash in soapy water, then rinse in cold clear water. Shake out excess water and hang to air dry. Make sure the air tube is thoroughly dry before connecting to the motor unit.

IF THERE IS LOW OR NO SUCTION:

Make sure all connections are secure. Make sure the silicone insert on the cup forms a complete seal around the breast. Make sure the membrane is lying flat against the valve. Check the membrane and valve are clean and not damaged. Make sure the air tube is securely fitted to the upper pump body and the motor unit. Check there is no kink in the air tube.

IF PUMP WILL NOT TURN ON:

Make sure the pump is plugged in correctly. Make sure the "on" button is pressed and the light is on. Do not repeatedly press the on/off button. If using batteries, make sure the mains adaptor is not plugged into the pump. If using batteries, make sure batteries are installed correctly.

ANY MISSING PARTS?

Call us FREE on 0500 97 98 99 (UK only) or email careline@jackel.co.uk

USING THE STERILISER BOX

The Sterilising box has been specifically designed to microwave steam sterilise all of your breastfeeding equipment quickly and efficiently.

To use:

- Pour 100ml of water into sterilising box
- Load upturned bottle, disassembled breast pump and any accessories.
- Securely fit box lid
- Open valve, on lid of box
- Place steriliser box in microwave
- Follow instructions according to microwave output

WATTAGE	FULL POWER	COOLING TIME
Under 800 W	6 minutes	3 minutes
Over 850 W	4 minutes	3 minutes

- CAUTION: To avoid risk of burning, always ensure box is cool to touch before lifting out.
- Immediately fit valve on lid to make box airtight and sterile.

USING THE BREAST MILK STORAGE SYSTEM (see diagram D)

For use with the Tommee Tippee® closer to nature® breast pumps

HOW TO USE

- Ensure pot is clean and sterilised.
- Place pot inside of bottle.
- Screw bottle onto bottle neck adaptor and continue to follow assembly of breast pump instructions.
- When the breast pump is fully assembled and in usage, the pot will hold up to 60ml / 2oz.
- Once you have expressed 60ml stop pumping, place lid on storage pot and remove from bottle.
- Store pot in either the fridge or freezer. See storage guide below.
- If you want to continue expressing, either insert another clean and sterilised pot or express directly into the bottle of the breast pump

STORAGE OF BREAST MILK

- Refrigerate expressed milk immediately. If you express more than once a day, you can add the amounts so long as you put it back in the fridge each time.
- Store milk in the fridge for up to 24 hours, or in the freezer for 3 months.
- You will notice that stored milk separates out into layers. Shake to remix thoroughly before feeding.
- When freezing milk, allow space at the top of the bottle for expansion. It is easiest to freeze milk in individual feed quantities of 60-125ml (2-4oz)
- Thaw frozen milk in the fridge or by standing the bottle in lukewarm water until it has reached body temperature.
- If you want to take expressed milk with you when you are out, make sure it stays cold or frozen until needed.

Method of storing milk	Use within	REMEMBER
Refrigerated only	24 hours	• Never defrost or heat milk in a microwave
Refrigerated before freezing	24 hours	• Never refreeze breast milk
Once frozen	3 months	• Once defrosted, the milk should be kept in the fridge and used within 12 hours
Defrosted before feeding	12 hours	• Do not boil breast milk
Refreezing	NEVER	• Throw away any leftover milk after a feed

USING BREAST MILK STORAGE SYSTEM AS A SIPPY CUP

- If milk has been chilled, remove lid and place in warm water to heat to temperature required. Always check food temperature before feeding.
- Hold cup up to baby's mouth and gently tip to allow baby to sip from cup.

For your child's safety and health

WARNING!

Always use this product with adult supervision. Accidents have occurred when babies have been left alone with drinking equipment due to the baby falling or if the product has disassembled. Always check food temperature before feeding. Heating in a microwave oven may produce localised high temperatures. Take extra care when microwave heating. Always stir heated food to ensure even heat distribution and test the temperature before serving.

CLEANING AND STERILISING

- Before first use, clean the product.
- Clean before each use.
- Always wash the product immediately after use.
- Wash in warm soapy water and rinse in clean water or use a dishwasher. Do not clean with solvents or harsh chemicals.
- Do not allow product to come into contact with oil based foods (e.g. oil/tomato based sauces) as staining will occur.
- Suitable for all forms of sterilisation.

STORAGE AND USE

- Inspect before each use. Throw away at the first signs of damage or weakness.
- Do not store or leave in direct sunlight or near a source of heat.
- Do not store with or allow to come into contact with solvents or harsh chemicals.
- Not suitable for use in a conventional oven or a combination microwave oven with the grill feature switched on.
- Keep all components not in use out of reach of children.